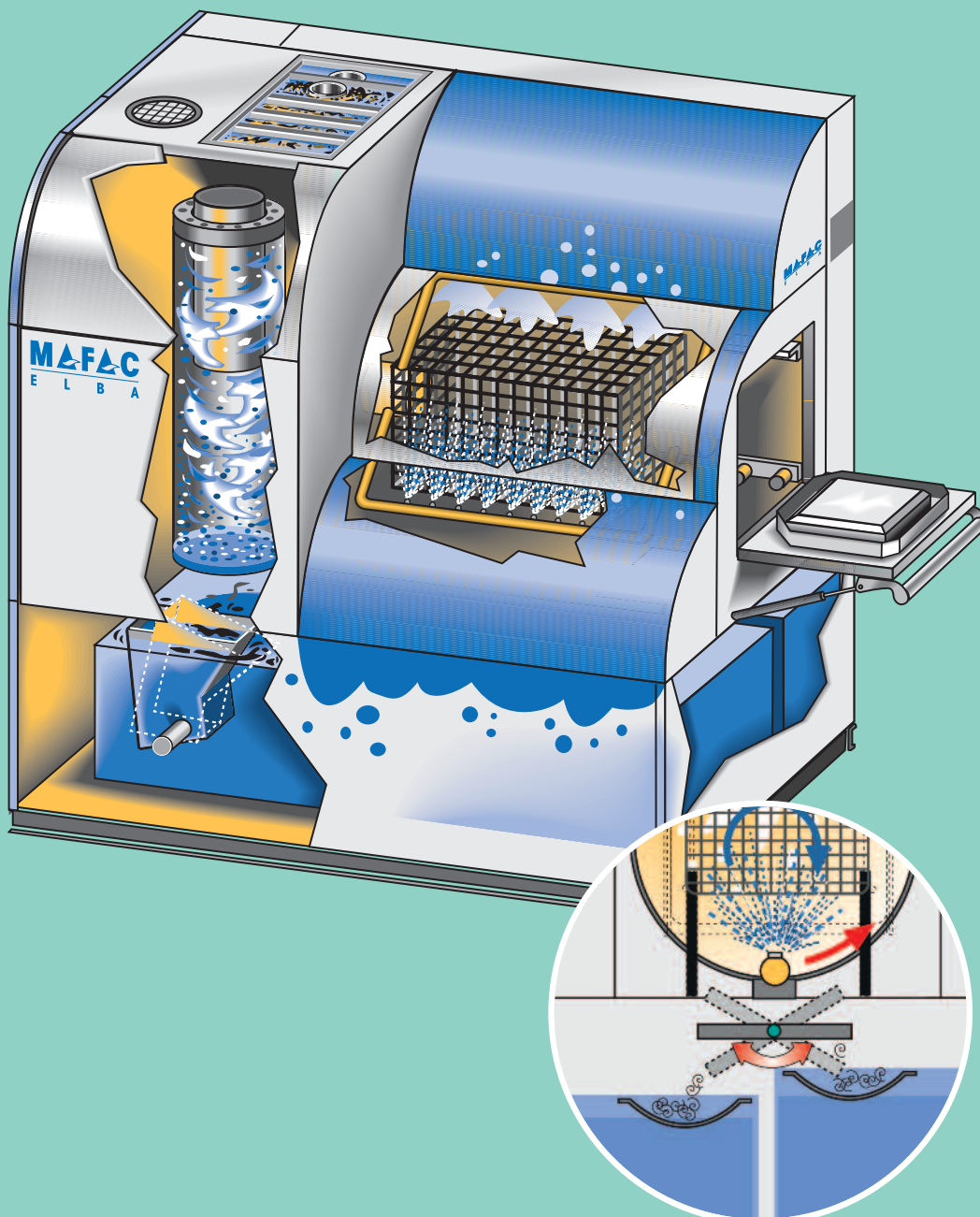


MAFAC ELBA

Technical specifications



Benefits for the user:

- Patented rotating multi-side spray system with counter-rotating basket pickup system (can be switched off). With specifically arranged nozzles for reliable cleaning results.
- Two large-capacity tanks for long life of the process water.
- Cascade design of tanks for extended life of media.
- Reduced energy consumption thanks to insulated tanks.
- Separate heating of tanks.
- Removable swarf filter trays for collecting coarse dirt particles in the return flow from the cleaning/rinsing process.
- Coalescing oil separation system with integrated surface suction device in tank 1 and high-level monitoring of the oil collection tank.
- Steam extraction with mist collector, return of condensation and condensate.
- Hinged door with drip tray as a versatile load/unload platform. After the end of the cleaning process, automatic opening of the hinged door is possible.
- Easy-to-use MAFAC MAVIATIC touch panel.
- Ultra-fine filtration on pressure side of the pump for removing small dirt particles before cleaning/rinsing.
- The hot air pulse blowing system keeps residual water to a minimum for a higher degree of dryness in the parts.
- Hot air drying system for optimum heating and

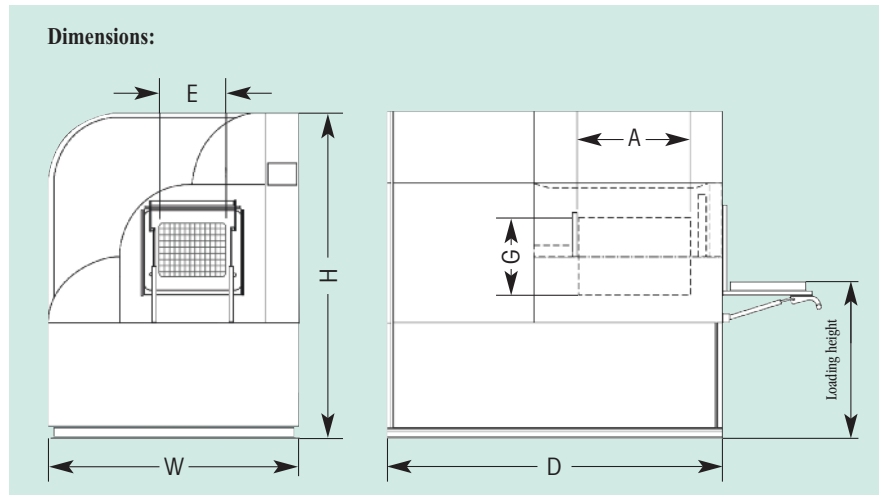
Standard features:

- Front loading with hinged door and sliding plate
- Counter-rotating spray system and parts loading system
- Spray cleaning and rinsing in one machine
- EURO standard baskets can be used (600 x 400 x 288 mm)
- Underwater swarf filter tray
- Bath heating system with analogue temperature control and cut-off
- Thermal insulation of tanks
- Steam extraction with condensation and mist separator
- Coalescing oil separator with high-level monitoring of the oil collection tank
- Media fill level control
- Water contact components made of stainless steel / plastic
- Easy-to-use MAFAC MAVIATIC touch panel

Options :

- Rotating pulse blowing system
- Stationary hot air drying system
- working chamber size adjustable to max. 660l x 480W x 338H (mm)
- Larger versions available on request
- Ultra-fine filtration on pressure side of pump
- Speed control for basket rotation including oscillation
- Program package for machine pre-heating and media treatment
- DI unit
- Draining pump
- Bund tray acc. to German Water Resources Act
- Automatic vertical sliding door as an alternative to the hinged door
- Charging trolley
- Modem for remote maintenance of the control system
- Automatic transfer system
- Speed control with nozzle rotation
- Frequency-controlled pump pressure
- Rinse water treatment module
- Heat exchange module MAFAC HEAT.X
- Larger versions available on request

Spraying pressure pump standard version			Return filtration		Option: Pre-run filtration	
Flow volume	Pressure	Output	Grade	Surface area	Grade	Surface area
Cleaning process tank 1:						
385 l/min	3,5 bar	4,0 kW	150 µm	0,28 m ²	100 µm	1x 0,24 m ²
Rinsing process tank 2:						
210 l/min	1,8 bar	1,39 kW	150 µm	0,28 m ²	50 µm	1x 0,24 m ²
Option: Spraying pressure pump non-performance version			Return filtration		Option: Pre-run filtration	
Flow volume	Pressure	Output	Filtration fine	Surface	Filtration fine	Surface
Cleaning process tank 1:						
350 l/min	5,5 bar	5,5 kW	150 µm	0,28 m ²	100 µm	1x 0,24 m ²
			Contents	Heating time	Temperature	Heating capacity
1-bath version		Tank 1, cleaning: (including oil separator)	725 litres	approx. 2.0 h	[75 °C]	26,0 kW
2-baths version		Tank 1, cleaning: (including oil separator)	425 litres	approx. 2.0 h	[75 °C]	15,0 kW
		Tank 2, rinsing:	300 litres	approx. 2.0 h	[75 °C]	15,0 kW
Connections:			Electrical	V ; Ph ; Hz ; kVA	400 ; 3 ; 50 ; 36	
			Compressed air	pouce ; bar	Rp 3/4 ; 5 - 8	
			Fresh water	pouce ; bar	Rp 3/4 ; 0,5 - 10	
			Waste water	pouce	RP 1 1/2	
			Exhaust air	mm	DN 120	
Extraction/condensation:			Mean volumetric flow rate		600 m ³ /h	
Drying systems:				Flow volume	Pressure	Temperature
			Pulse blowing system	approx. 3,100 l/min.	6,0 bars	45°C
			Hot-blowing system	400 m ³ /h	0,15 bar	max. 80°C
Dimensions:				Depth (mm)	Width (mm)	Height (mm)
			Usable space max. (A x E x G)	660 mm	480 mm	338 mm
			External dimensions (D x W x H)	1800 mm	1400 mm	1850 mm
			Loading height			860 mm
Weight:			Batch	max. 100 kg	Option	max.250 kg
			Machine	without liquid	950 kg	
				with liquid	1700 kg	
Machine colour:				Light grey	Azure	
				RAL 7035	RAL 5015	



Parts Cleaning. Systems and Solutions.

MAFAC - E. Schwarz GmbH & Co. KG
 Max-Eyth-Straße 2, D-72275 Alpirsbach
 Tel. + 49 (0) 74 44/95 09-0, Fax 95 09-99
 eMail: info@mafac.de, www.mafac.de